



Motion detector M41HC, 230 V, secondary, 53 m, IP54, for high ceilings, for surface mounting, white

353-802011 (M41HC-SM)

4 year warranty

This high ceiling detector is a secondary detector that extends the detection range of a high ceiling 230 V master detector. It is designed for surface mounting and has an IP54 protection degree. The detector's settings can be modified using the Niko detector tool app and 2-way Bluetooth® communication between a smartphone and the detector.

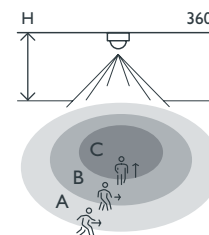
Finishing colour: white

Compatible master detectors: 353-600121, 353-601121, 353-601221, 353-602121, 353-602221, 353-700121, 353-701121, 353-701221, 353-702121, 353-702221, 353-802111

- High ceiling detector for surface mounting
- Quick cabling using screwless and easily accessible plug-in terminals
- User-friendly app for commissioning (iOS/Android)
- 2-way Bluetooth® communication ensures quick modification of settings and live feedback in the app
- Fitted with three PIR segments, each covering 120°
- Pre-configured functions:
 - adjustable PIR sensitivity (4 levels) in 3 x 120°
 - one or more PIR segments can be disabled
 - event log keeps track of recent changes
- Wireless communication between master and secondary detectors with a repeater function with repeater function
- Settings and configuration can be locked with a PIN code
- IP54 protection degree



Detection range



H	A Walking	B Across	C Towards
4.0 m	∅ 18 m	∅ 18 m	∅ 11 m
8.0 m	∅ 35 m	∅ 33 m	∅ 23 m
12.0 m	∅ 53 m	*	∅ 13 m

* not specified
Measured according to EN/IEC6180



Bluetooth®

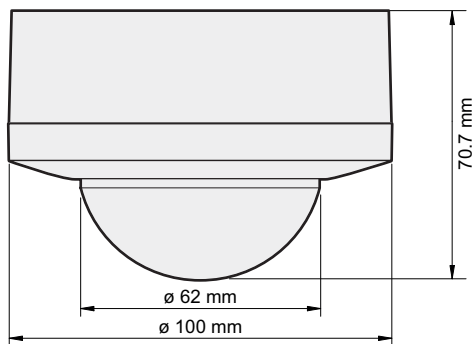


Niko

Technical data

Article number	353-802011
Compatible master detectors	353-600121, 353-601121, 353-601221, 353-602121, 353-602221, 353-700121, 353-701121, 353-701221, 353-702121, 353-702221, 353-802111
Input voltage	230 Vac \pm 10 %, 50 Hz
Detector output	230 V (ON/OFF)
Maximum power consumption	0.2 W
Maximum MCB rating	16 A (limited by national installation rules)
Detection angle	360 °
Detection range (PIR)	\varnothing 53 m from a height of 12 m
Ambient temperature	-25 – +40 °C
Mounting method	surface mounting
Mounting height	4 – 12 m
Colour	white (approximately RAL 9010)
Dimensions visible (HxWxD)	100 x 100 x 70.7 mm
Dimensions (HxWxD)	100 x 100 x 70.7 mm
Maximum range Bluetooth® (free field, depending on the device)	50 m
Operating frequency	2.4 GHz
Maximum radio frequency power	-2 dBm
Protection degree	IP54
Impact resistance	IK04
Modification of settings	Niko detector tool app (iOS-Android) and 2-way Bluetooth® communication
Halogen-free	yes
Marking	CE

Dimensions



Wiring diagram

