

DATA SHEET

P/N: CAS-LIG-REP



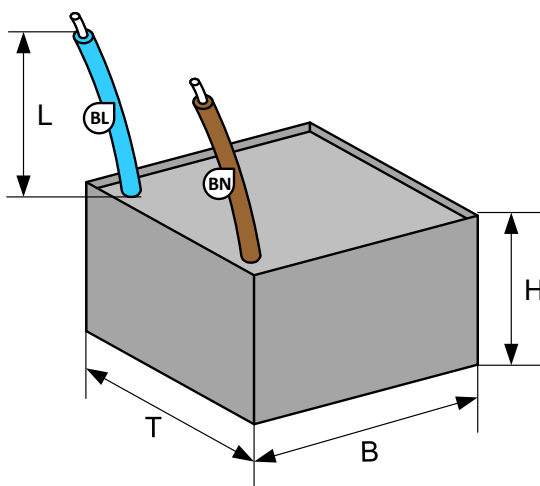
- **Repeater module for 230VAC.**
- **Smallest power consumption, only 0.3 Watt.**
- **Simply operates with Casambi.**

The repeater module CAS-LIG-REP is directly connected to a 230VAC line and ready to be inserted into the Casambi application.

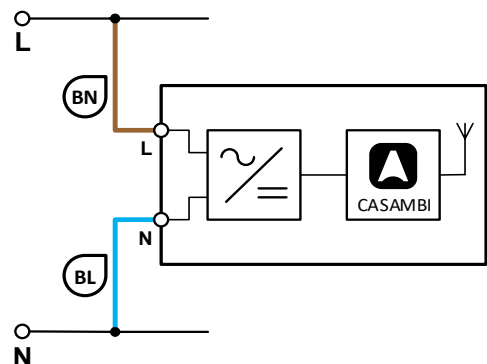
With this module, the range of the Bluetooth signal can be easily increased.

Ensuring a simple and trouble-free installation, the module is compactly built into a black ABS enclosure in the dimensions 35 x 35 x 22mm.

Dimensional drawing:



Schematic:



Technical specifications:

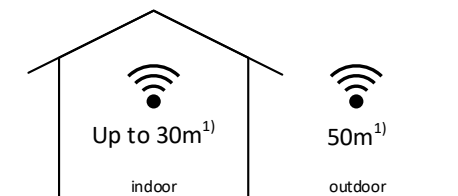
Dimension (T x B x H)	35 x 35 x 22mm
Weight	36g
Color	Enclosure black
Mounting	In flush-mounted boxes or cable ducts etc.
Environmental conditions	Operation: Temperature -20 ... 50°C, humidity < 85%rH Stock: Temperature -25 ... 65°C, humidity < 95%rH
Protection type / Protection class	Appliance Class II
Connections	Flexible 2 x 1mm ² (AWG30), L = 150mm: Brown (BN): L, phase conductor Blue (BL): N, neutral conductor
Power supply / Frequency	230VAC, 50Hz
Power consumption	0.3W max
Standards	Low Voltage Directive (LVD) 2014/35/EU, EN 60669-2-1 Electromagnetic compatibility (EMC) 2014/30/EU
CASAMBI Modul Standards	Bluetooth 4.0 Wireless Control
	Casambi App (App Store, Google Play)
Applications	Extension of the Bluetooth range
Scope of delivery	1 Repeater module

Compatible devices:



iPhone 4S or later
iPad 3 or later
iPod Touch 5th gen or later.
Android 4.4 KitKat or later devices
 produced after 2013 with full BT 4.0 support.

Range:



Casambi uses mesh network technology so each CBU-ASD acts also as a repeater.

Longer ranges can be achieved by using multiple Casambi units.

Range is highly dependent on the surrounding and obstacles, such as walls and building materials.

