

**Presence detector 360° (24 V DC) for flush mounting**

- Small design and elegant finish - only Ø90 mm
- 360° detection angle
- Connected to a controller
- More detectors can be connected
- 4 sensitivity settings

Depending of the type of controller connected, the detector 41-440 can control the light, based on the function chosen in the controller.

The maximum number of detectors 41-440 in the same system is depending of the type of controller chosen.

Detection

Plan view, diameter indicated at floor height (mounted at height 2,5 m)

Diameter indicated at table height.

**Planning**

To ensure optimal detection at the entrance to the room, reduce the distance between door and detector, when positioning the detectors. Effective detection of a person is achieved at minimum 0.8 m height above floor level.

**Technical data**



**Input**

Power supply 24 V DC ± 10 %  
Power consumption 0,9 VA

**Output**

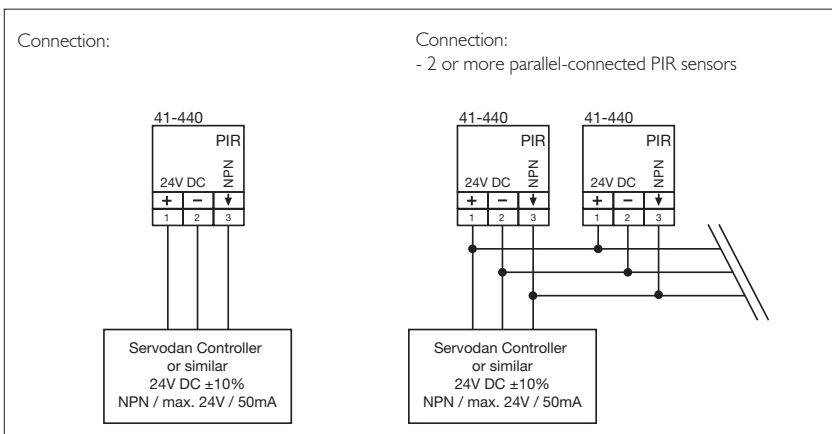
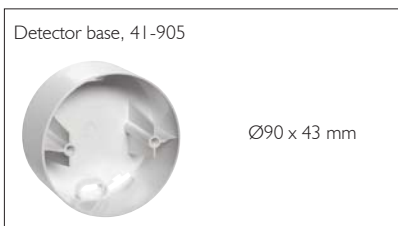
Max current load 50 mA (24 V DC)  
Output signal PIR ON/OFF, NPN.

**Performance**

Detection range 360°, dia. ø7-ø12 m  
Installation height 2.5 - 4 m  
Sensitivity 4 settings  
Protection class IP 20  
Ambient temperature -5° C... +50° C

**Approval**

CE according to EN 60669-2-1



**Order numbers**

| Product          | Type   | EAN no.        |
|------------------|--------|----------------|
| Detector 24 V DC | 41-440 | 5703102 204004 |
| Detector base    | 41-905 | 5703102 205254 |