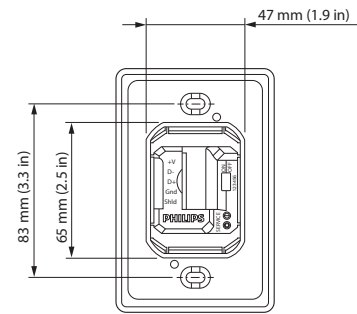




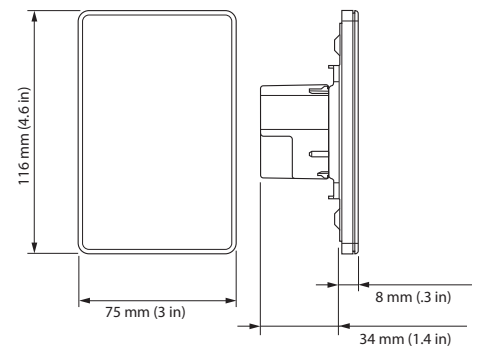
## PATPA AntumbraTouch User Interfaces

The most flexible user interface solution available

The AntumbraTouch user interface has a smooth glass finish and uses capacitive touch technology to detect a person's presence. It also incorporates the latest in field effect technology. The contemporary design features a number of button configurations, with each button capable of local or site-wide control functions. The PATPA range is suitable for, but not limited to, North American, South American, Australian and New Zealand markets.



- Field effect technology — The user interface detects an approaching user and 'wakes up', initiating a wall-wash lighting effect to encourage interaction.
- Capacitive touch technology — Smooth glass finish detects the presence of a finger and triggers a button press action.
- Supplied as two components — The Application Module contains buttons, rim, base and mounting plate, which can be mixed and matched to suit décor. The Communication Module contains all of the logical and network functions and can be pre-programmed off-site, allowing commissioning to commence prior to finish options being finalized.
- Hidden sensory inputs — An internal light sensor measures ambient light and adjusts light-wash effect accordingly. A built-in temperature sensor automatically adjusts air conditioning when integrated into the system.
- Multiple language and icon labeling — Button labeling language choices include English, Chinese and Arabic. A library of common icons transcends language barriers, which is particularly useful in hospitality applications.
- Selection of rim and fascia options — Allows décor matching to suit any environment.



For detailed product information, please refer to the product information pages at [www.philips.com/lightingcontrolsna](http://www.philips.com/lightingcontrolsna).

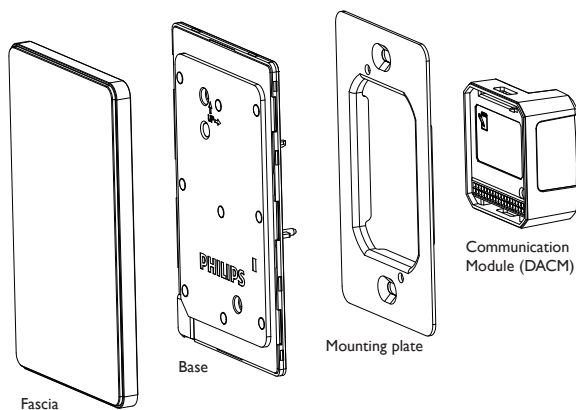
## Specifications

Due to continuous improvements and innovations, specifications may change without notice.

Item	Specification	Details
Electrical	DyNet DC Supply	12-24VDC SELV/Class 2 max 40 mA @ 12VDC, max 25 mA @ 24VDC
	Control Inputs	One RS-485 DyNet serial port One 5-way removable screw terminal (optional CAT5/CAT6 wire termination available. Requires optional DRJ485ADAPT adapter)
Control	Temperature Sensing	41° to 104°F ± 2.7°F (5 to 40°C ± 1.5°C)
	Field Effect Detection	Range: ~6 in (~15 cm)
Physical	Dimensions (H x W x D)	4.6 x 3.0 x 0.9 in (116 x 75 x 22 mm)
	Packed Weight	7.05 oz (0.2 kg)
	Button Finishes	White, Silver and Magnesium
	Rim Finishes	White, Magnesium, Chrome and Aluminum
	LED Indicators	Buttons - white Backlight wash - white
	Field Effect Detection Range	~ 6 in (15 cm)
	Operating Conditions	Temperature: 32 to 122°F (-0 to 50°C) ambient Humidity: 10 to 95% non-condensing
	Storage & Transport	Temperature: -13 to 140°F (-25 to 60°C) ambient Humidity: 0 to 90% non-condensing
Certification	Compliance	CE, RCM, FCC, ICES, RoHS
	IP Rating	IP22



## Exploded Diagram



## Communication Module (DACM)

The Communication Module is common across all interfaces in the Antumbra series and is a self-contained unit with all the logical and network functions required for any DyNet project. This device can be pre-programmed off-site without the Application Module, allowing the commissioning process to begin before the final finish options have been chosen. Communication Modules can then be installed and wired months before the final Application Modules are installed, thereby protecting them from damage during construction, while allowing for wiring, commissioning and testing.



Philips Dyalite  
6 / 691 Gardeners Road  
Mascot, NSW 2020  
Australia  
Tel: +61 2 8338 9899  
Email: dyalite.info@philips.com  
Web: www.philips.com/dyalite

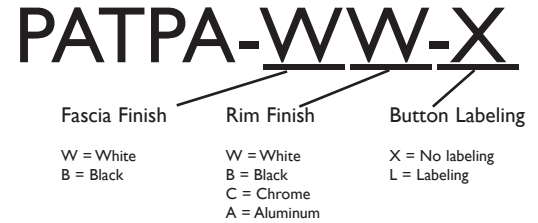
## Ordering Information

Ordering an operational Antumbra UI requires ordering both the Application Module and the Communication Module. An online ordering tool is available on the website below allowing configuration with different button and rim finishes.

The online configuration tool also allows for button labeling details. Once an Antumbra has been configured, a full preview is available and the part number details provided for ordering purposes. Submission of the generated order form is required to process an order for labeled Antumbra user interfaces.

[www.brerp.philips.com/antumbra](http://www.brerp.philips.com/antumbra)

## Application Module Ordering



## Communication Module Ordering

Description	Order Code
DyNet module for Dyalite compatibility. <b>Note:</b> One required for each Application Module ordered.	DACM
CAT5/CAT6 Wiring Adapter	DRJ45ADAPT

## Application Module

The Application Module contains the buttons, rim, base and mounting plate. The two visible components of the module (buttons & rim) are available in a range of different finishes. The base component contains all the sensors and indicators, which are enclosed by a rubber envelope to give an IP22 rating. A metal mounting plate supports the whole Antumbra structure so that it operates perfectly every time.

Specifications subject to change without notice. ©WMGD Pty Ltd Trading as Dyalite. Unit 6, 691 Gardeners Road Mascot 2020 Australia. ABN 33 097 246 921. All rights reserved. Dyalite, DyNet and associated logos are the registered trademarks of WMGD Pty Ltd. Not to be reproduced without permission.