

LumiLink

DALI Phase Dimmer-1 Channel



The LumiLink DALI phase dimmer is compatible with any compliant DALI control system. The one channel puck style is great for discreet mounting in a wall, inside a fitting, junction box or etc. Trailing edge dimming up to 400W (200W LED)
Simple and cost effective.

Features & Benefits

- ☞ DALI-2 Certified Trailing Edge Dimmer
- ☞ Built in LED indicator for status
- ☞ Upto 200W of LED load
- ☞ Set minimum brightness from unit
- ☞ Supports resistive and capacitive loads
- ☞ Compact size for discreet mounting
- ☞ Can work in standalone with Push Dim function
- ☞ Compatible with all compliant DALI control systems

Technical Specifications

☞ Input and Output

| | |
|-------------------------|--------------------|
| Input voltage: | 240VAC |
| Input supply frequency: | 50Hz |
| Output current: | 1.8A Max |
| Input/Output signal: | 240V Trailing Edge |

☞ Environment

| | |
|-------------|------|
| Protection: | IP20 |
|-------------|------|

☞ Package

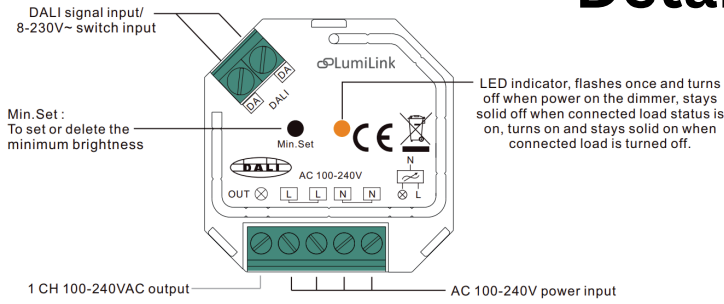
| | |
|---------------|----------------|
| Size (LxWxH): | 45.5x45x20.3mm |
| Gross weight: | |



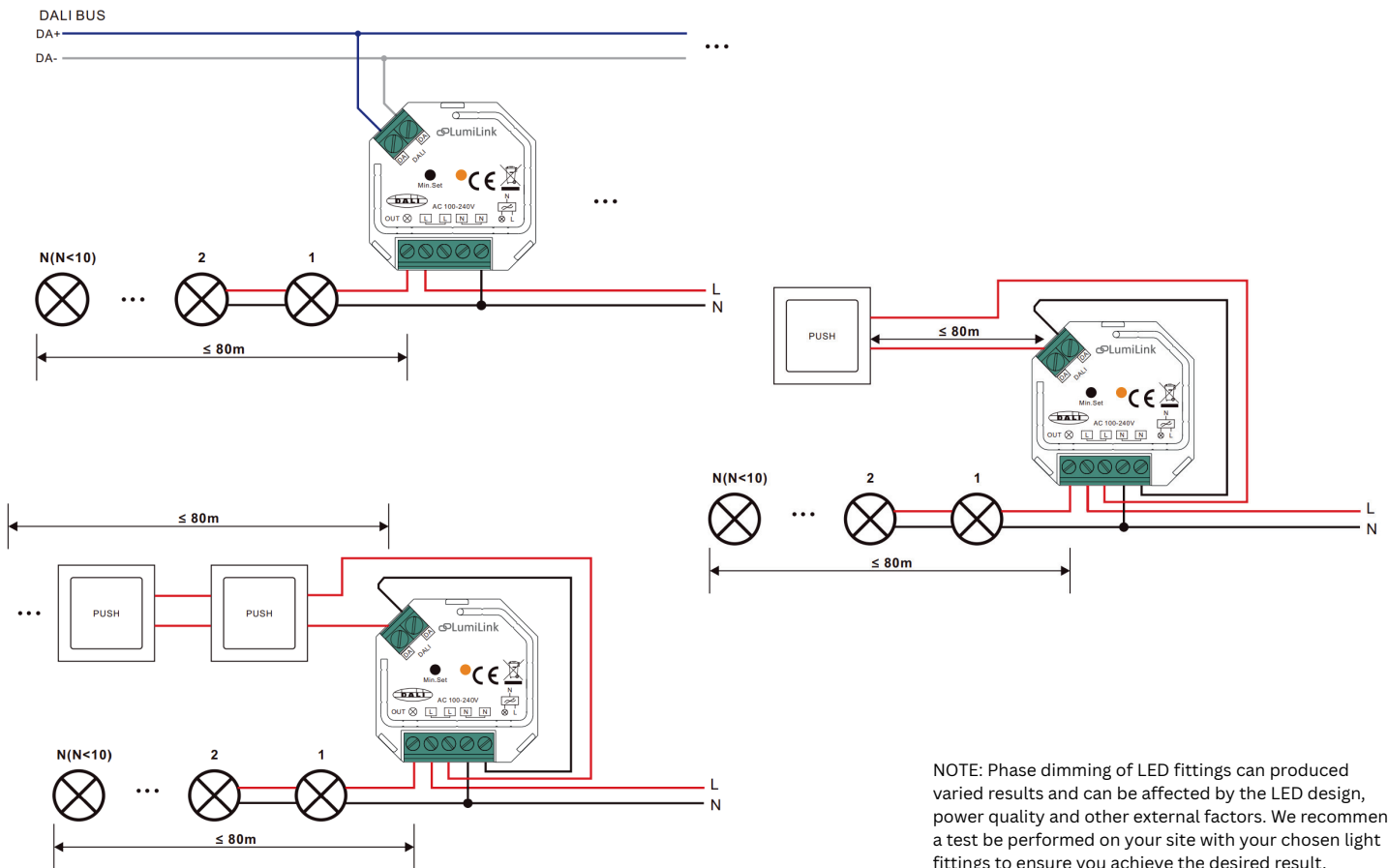
technical details subject to change rev v1.1

LumiLink

Details



Example of Use



Ordering Information

| Part Number | Description |
|----------------|---|
| LL-D2PH-1C-PUC | LumiLink 1 Channel DALI to Phase dimmer (Trailing Edge) |

To find out more about LumiLink products, scan this QR code:



technical details subject to change rev v1.1

www.lumilink.com.au