

LumiLink

DALI Broadcast Unit



The LumiLink DALI to DALI broadcast unit is compatible with any compliant DALI control system, This unit acts as a single DALI address and then can broadcast to another 64 connected DALI fittings. Great for extending the number of total fittings you can control from a single DALI controller. Very handy when you have connected to many DALI fittings to a DALI line.

Features & Benefits

- 4-in-1 DT6 and DT8 DALI broadcast unit for expanding DALI circuits
- No DALI addressing required for the control gears connected to DALI OUT
- Broadcast unit DALI address will be automatically assigned by DALI master.
- Output with DALI power supply (Max. 150mA).
- Each broadcast unit occupies one DALI address and up to 64 broadcast units can be connected to one bus
- In accordance with DALI standard protocol IEC 62386-102, IEC 62386-207, IEC 62386-209 and in compliance with DALI products from other international incorporation
- Receives DT6/DT8 commands from DALI main circuit as a control gear with a single address. and forwards received DALI commands to all control gears connected to DALI OUT by broadcast DALI commands.

Technical Specifications

Input and Output

Input Voltage:	100-240VAC
Input Supply Frequency:	50/60Hz
Input Current:	< 0.02A
Output Current:	Max. 150mA
Input/Output Signal:	DALI

Package

Size:	L170 x W59 x H29mm
Gross Weight:	0.082kg

Safety and EMC

EMC Standard:	EN IEC 55015/EN IEC 61547 ETSI EN 301 489-1/-3
Safety Standard:	EN 61347-1/-2
Certification:	CE RoHS

Environment

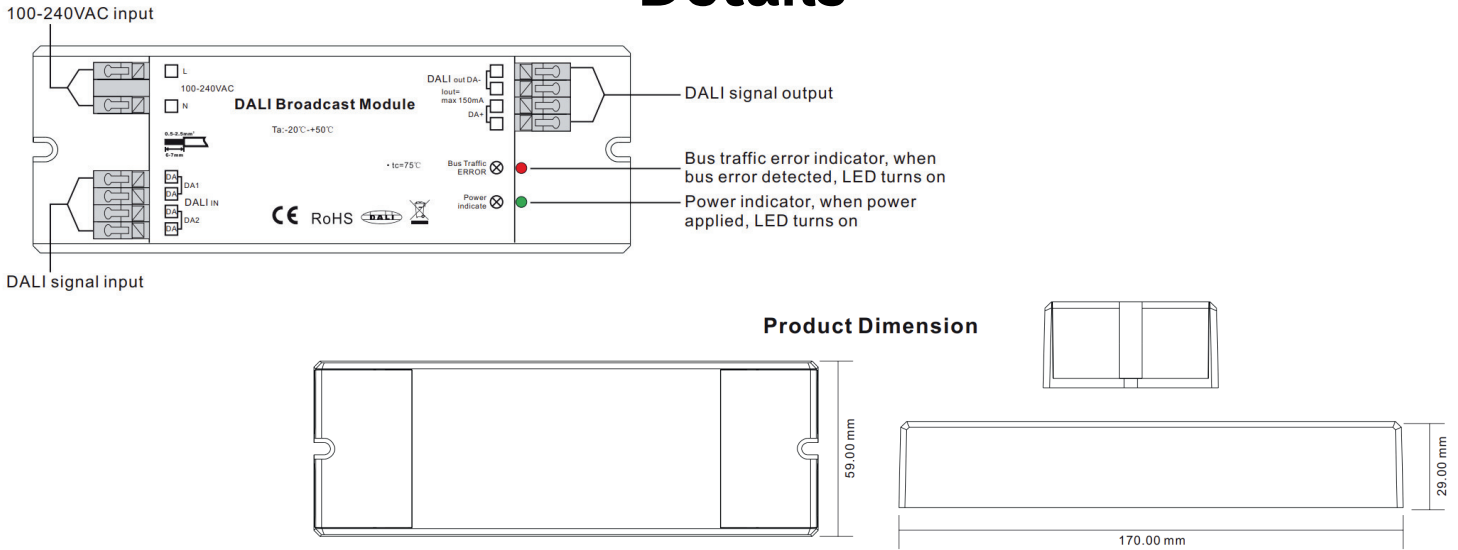
Operation Temperature:	Ta: -20 °C ~ +55 °C
Case Temperature:	+75 °C
Protection:	Short-circuit



technical details subject to change rev v1.2

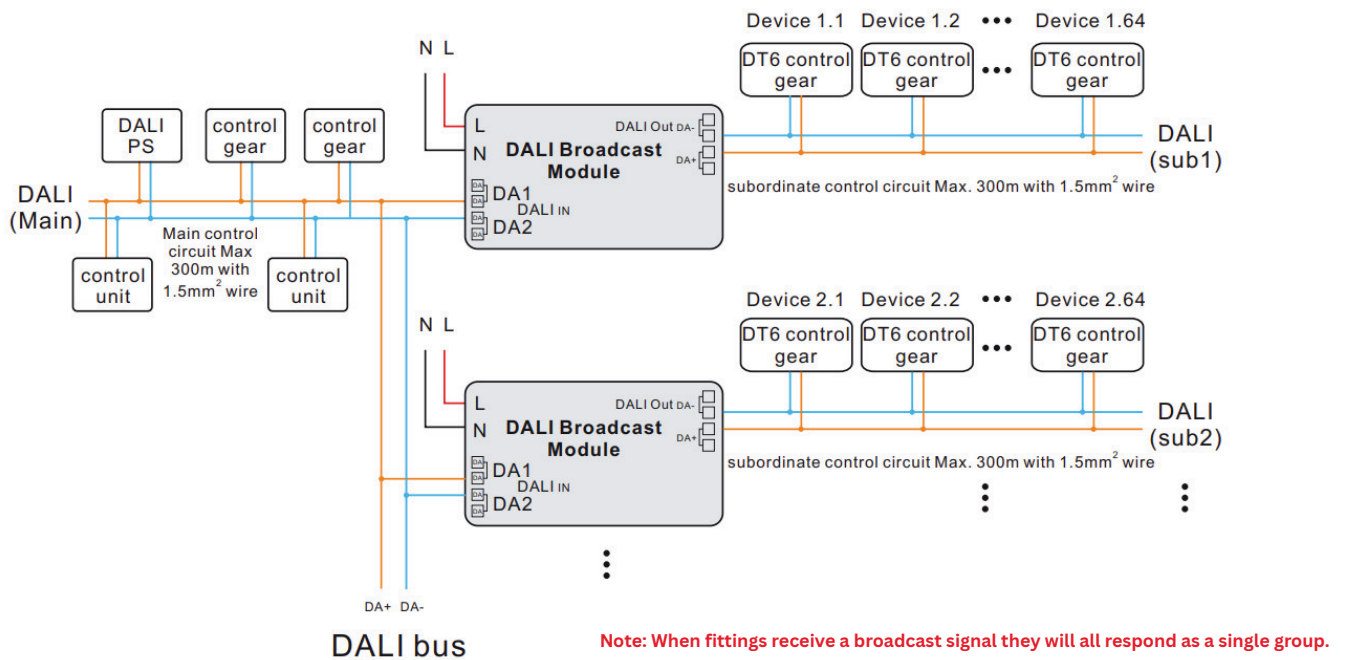
LumiLink

Details



Example of Use

Wiring diagram



Ordering Information

Part Number

LL-D2-BCAST-FM

Description

LumiLink DALI
Address to DALI Broadcast unit, Field Mount

To find out more about LumiLink products, scan this QR code:



technical details subject to change rev v1.2

www.lumilink.com.au