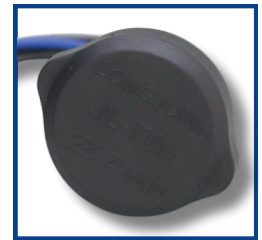



DALI-2 Zhaga18 Sensor







Compatible with any compliant DALI-2 control system, and perfect for outdoor luminaires that have a D4i driver and built in Zhaga Book 18 socket.



Microwave motion sensor as well as light sensor can be configured by master control system.



Features & Benefits


-  DALI-2 & D4i certified

 Compatible with D4i drivers
-  Microwave motion detection

 Autonomous sensor-based control
-  Illuminance measurement

 Zhaga book 18 socket
-  Motion sensor instance type 3 (303)

 Plug & Play
-  Light sensor instance type 4 (304)

 IP65 rating

Technical Specifications

technical details subject to change rev v1.1



Electrical Information

Power Supply: 12/24/36 VDC (D4i Certified)
 DALI Current Draw: 2mA
 Control: DALI
 Marking Terminals: V+, GND (DALI-), DA+
 Status Indicators: Red (DALI status), Red (motion detection)

Environment

Operation
 Temperature Range: -40°C to 70°C
 Operating Humidity: 0-95% (non condensing)
 Safety Certification: cULus Listed, CE

Sensing

Motion Detection (62386-303): Microwave Sensor
 Detection Sensitivity: 5.8 GHz ±75 MHz ISM band
 Microwave High Frequency: 0-15 Configurable, 0 is the highest sensitivity
 Light Sensor (62386-304): Event: 0-1000 Lux (10bit), resolution: 10lux
 Mounting Height: Up to 15m, recommend: 4-8m
 Detection Angle: 150° (wall) 360° (ceiling)
 Function: Configurable

LumiLink

Details

Physical Information

Dimensions: Sensor head: D50mm*H35mm,
Receptacle: D3-mm

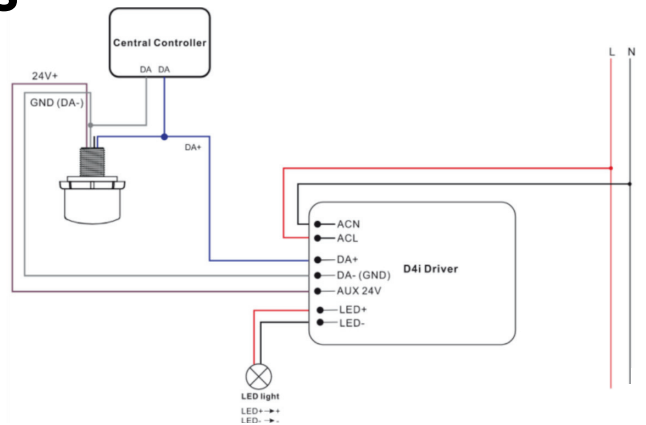
Mounting: M 20X1.5 thread

Thread Length: 18.5 mm

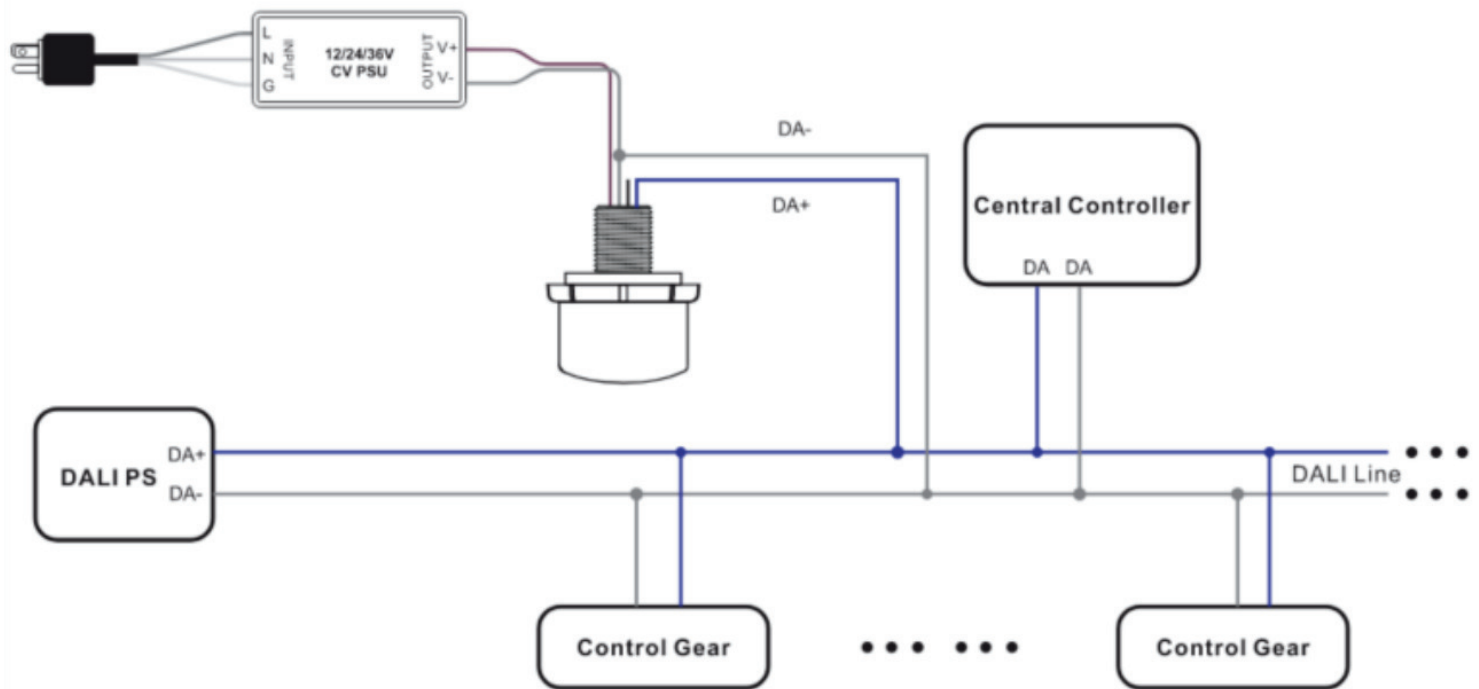
Receptacle: D30mm

Gasket Dimensions: D36.5mm

Wires: AWM1015, 20AWG, 6"(120 mm)



Example of Use



Note: please make sure the polarity of DALI of the sensor is correctly wired to the DALI PS.

Ordering Information

Part Number	Description
LL-D2MWSSENS-Z18	DALI-2 Zhaga18 Microwave Motion and Light Sensor

To find out more about LumiLink products, scan this QR code:



technical details subject to change rev v1.1

www.lumilink.com.au