

# LumiLink

## LumiLink DMX to PWM CV 4 Channel



The LumiLink LL-CVDMXPWM-4C is a 4 channel constant voltage DMX to PWM controller typically used for controlling LED strip or similar. The unit has 3 ways to connect your DMX cable using either a XLR 5pin connector, an RJ45 connector or a conventional Phoenix screw style connector, for ultimate flexibility.

### Features

- 1/2/4 DMX channel output selectable.
- Digital numeric display to set DMX start address.
- RDM function
- Over-heat / Short circuit protection, recover automatically.
- PWM frequency 250/500/1000/2000/4000/8000/16000/32000Hz selectable.
- Complies with DMX512 standard protocols.
- 16bit /8bit selectable.
- Logarithmic or linear dimming curve selectable.
- Screw terminal, XLR5 and RJ45 port for DMX signal input.
- Stand-alone RGB/RGBW mode and 4 channel dimmer mode selectable

### Technical Specifications

#### Input and Output

Input voltage:	12-48VDC
Input current:	32.5A
Output voltage:	4 x (12-48)VDC
Output current:	4x8A@12/24V, 4x6A@36/48V
Output power:	384W@12V, 768W@24V, 864W@36V, 1152W@48V
Output type:	Constant voltage

#### Environment

Operation temperature:	Ta: -30C ~ +55C
Case temperature:	Tc: +85C
IP rating:	IP20

#### Package

Size:	L175x W80 x H45mm
Gross weight:	0.395kg

#### Warranty

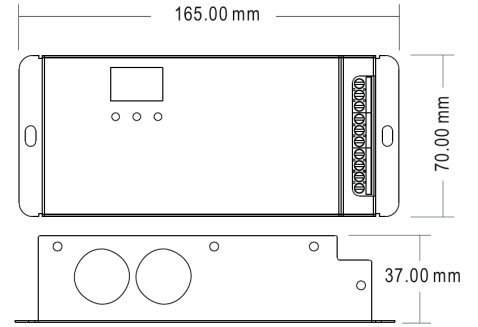
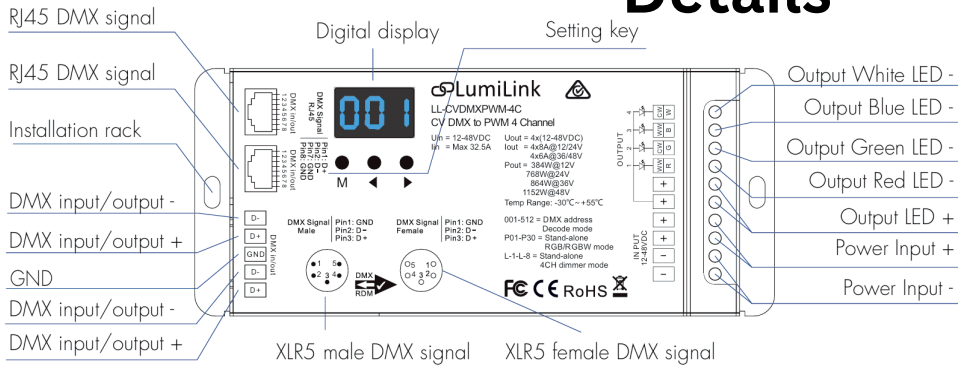
Warranty:	2 years
-----------	---------



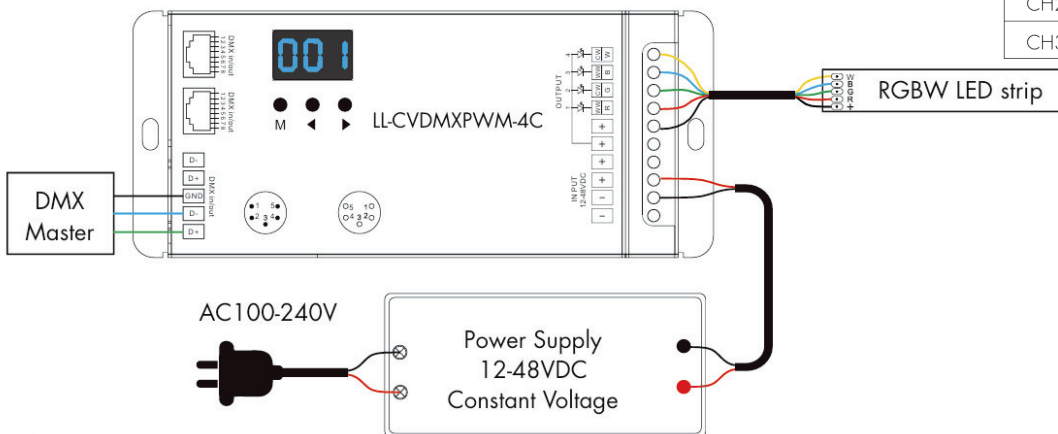
technical details subject to change rev v1.1

# LumiLink

## Details



## Example of Use



DMX Console	DMX Decoder Output
CH1 0-255	CH1 PWM 0-100% (LED R)
CH2 0-255	CH2 PWM 0-100% (LED G)
CH3 0-255	CH3 PWM 0-100% (LED B)



DMX mode  
(001~512)



Stand-alone RGB/ RGBW mode  
(P01 ~P30)



Speed (8 level)    Brightness (10 level, 100%)



Stand-alone dimmer mode  
(L-1 ~L-8)

**Note:**

1. An DMX signal amplifier is needed if more than 32 decoders are connected, or use overlong signal line, signal amplification should not be more than 5 times continuously.
2. If the recoil effect occurs because of longer signal line or bad line quality, please try to connect 0.25W 90-120Ω terminal resistor at the end of each DMX signal line.
3. When display OLA, overload alarm. When display OHA, overheat alarm.

## Ordering Information

Part Number	Description
LL-CVDMXPWM-4C	DMX Constant Voltage DMX to PWM 12-48VDC 4 Channel

To find out more about LumiLink products, scan this QR code:



technical details subject to change rev v1.1