



EMEGY

DALI Emergency Lighting

Emergency Spot Flush Mount



The EMEGY emergency spot light is a premium solution, with high intensity LED chips creating a class leading output with a D80 spacing classification.

A custom heatsink design and Poweroid battery technology, with an advanced battery management system, ensures years of consistent performance and trouble free use.

DALI2 certified to ensure compatibility with any DALI2 certified control system, for automated scheduling of tests and monitoring.



DALI2 Certified



Wireless Option

BMS

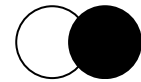
Advanced Battery Management System



D80 Spacing



IP20 Protection



White or Black



Optional 10 Year Onsite Warranty**

Technical Specifications

Function

Luminaire Type:	Self contained
Operation Mode:	Non-maintained
Test Facility:	DALI

Input

Power Supply:	220-240VAC 50HZ
Power:	3W max
Surge Protection:	1KV

Output

Emergency Power:	2.5W
Lumen Output:	370 lumens
Illuminance Class:	D80

Certification

AS/NZS 60598-1, AS/NZS 60598-2-22,
AS/NZS 2293.1, AS/NZS 2293.3,
AS CISPR 15:2017, DALI-2



Battery

Type:	LiFePO4 6.4V 2000mAh
Charge Duration:	16h
Discharge:	90mins

LED

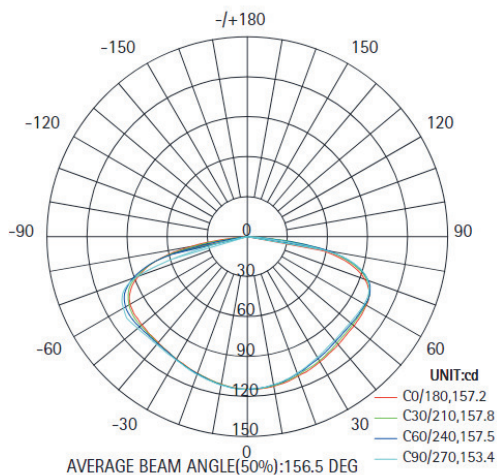
Brand:	Lumileds
CCT:	5700K

Body

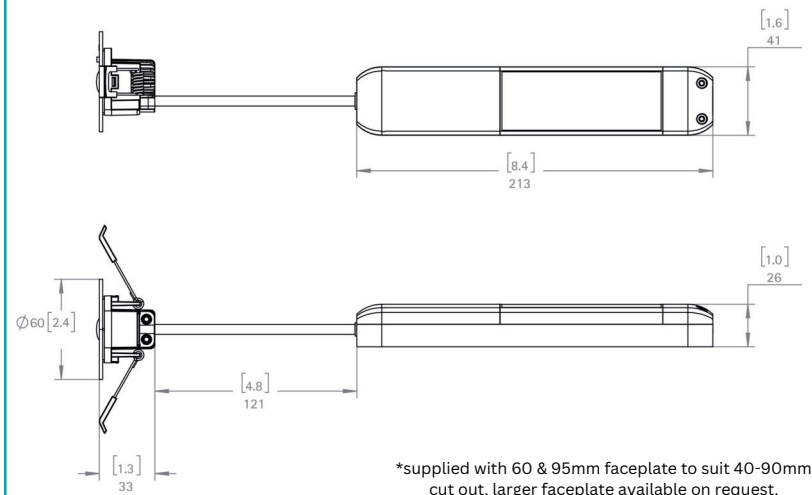
Mounting	Flush Mount
Class:	Class - II
IP Rating:	IP20
IK Rating:	IK06
Operating Temp:	0 - 50°C
Material:	PC Housing Aluminium Heatsink

** Optional 10 year onsite warranty available with ongoing service agreement

Photometrics



Dimensions



Typical Spacing

As per AS/NZS 2293.1

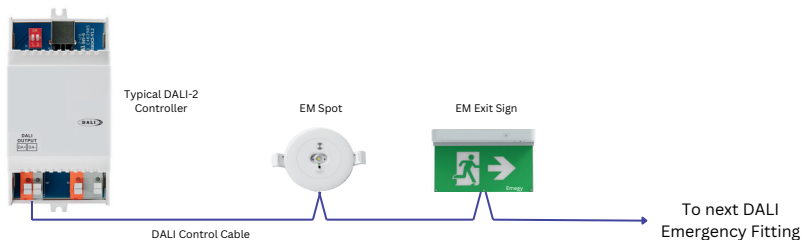
Mounting Heights (m)

Class	2.4	2.7	3.0	3.3	3.6	4.0	4.5	5.0	6.0	7.0	8.0	9.0	10
D80	13.2	14.8	16.5	18.1	19.8	22	24.7	27.5	28.9	30	30.9	31.5	32.1

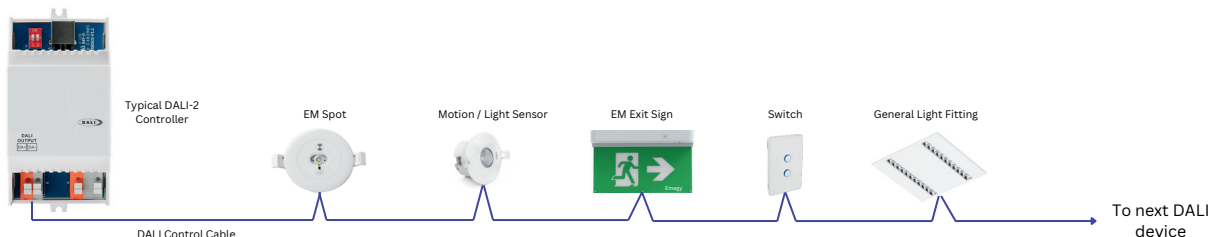
Distance (m)

Example of use

Controller with only emergency fittings



Controller with general lighting, lighting control & emergency lighting as one system



Ordering Information

Part Number

Description

EM-SD2OFW Spot light DALI-2 Flush Mount White

EM-SD2OFB Spot light DALI-2 Flush Mount Black

LL-D+KIT DALI+ Wireless Kit

Distributed By

smartscape

connected lighting systems

PH: 07 33571922

Email: info@ssqld.com.au

Web: www.ssqld.com.au